



# SORRENTO Mk2



**Operation:** A reliable mortise lock for aluminium framed doors having a beveled latch bolt that is extended further into the strike plate when locked by key or snib.

**Special Features:**

- **Interior snib** lever for quick and convenient locking without the need for a key.
- **Tough nylon slides** on the lock bolt help protect the edge of the door jamb, reducing noise and providing a smooth closing action.
- **Two-stage lock bolt** - Locking the door by key or snib lever causes the lock bolt to extend further into the strike plate.
- **Steel cased lock body** for increased strength.
- **Australian** design and manufacture.
- Subject to patenting.

**Multipoint:** Sorrento Mk2 may be connected to a multipoint kit to provide remote locking and door seal compression. (for aluminium framed doors only - order separately).

**Installation Features:**

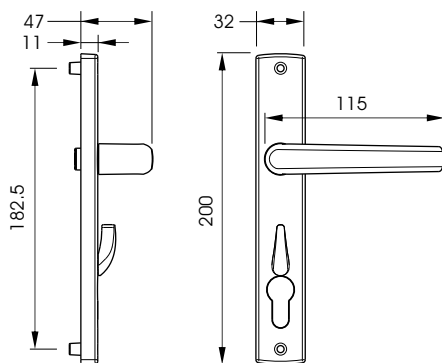
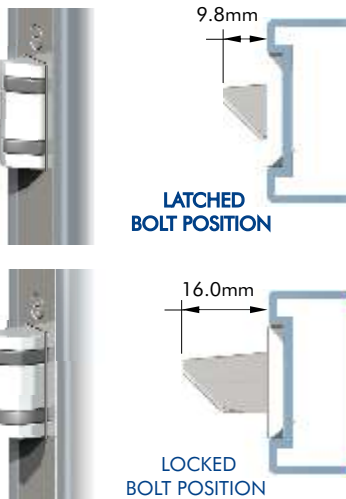
- **Quick lever reversal** by loosening a single screw (to change between left hand hinged and right hand hinged doors).
- **Interchangeable** lock bolt can be easily swapped to suit both inward opening and outward opening doors (two bolts supplied).
- **Fitting instructions** can be downloaded from [www.ausloc.com](http://www.ausloc.com)

**Finishes:** Available in Satin Chrome, Bright Chrome, Bright Gold and in the range of powder coated finishes shown in Section 10 of this catalogue. Finishes include PSIL (powder-coated Satin Chrome look-alike) that is more suitable for coastal and high humidity environments.

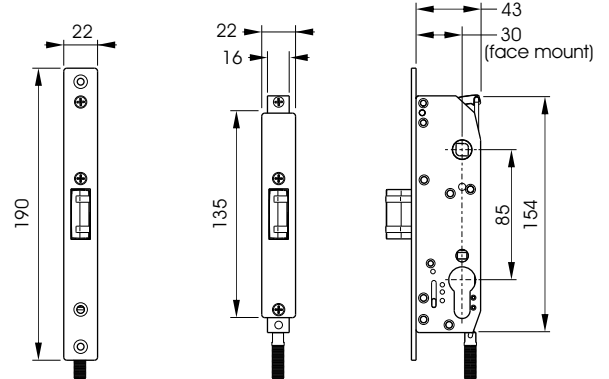
**Keying:** - AA70 5-pin re-pinable double cylinders are available  
- C4 or Gainsborough compatible keyways  
- can be keyed alike

## New Bolt Design

Two-stage bolt is extended when locked.



Classic Style Furniture



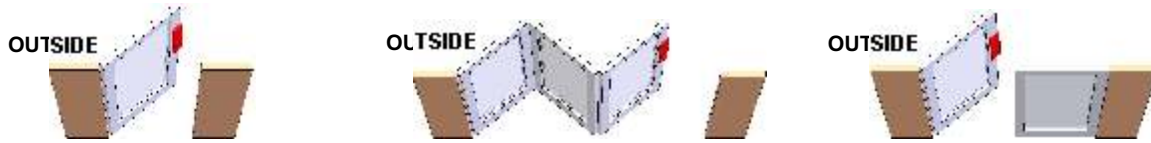
Face Mount Standard

Flush Mount

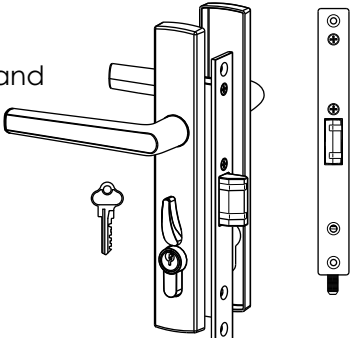
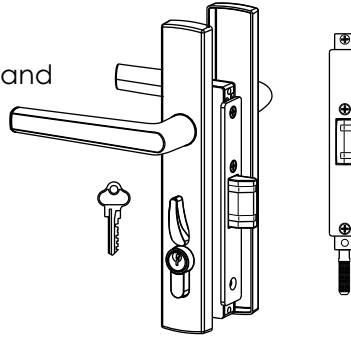
# SORRENTO Mk 2 - Classic



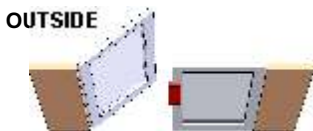
## Standard Product Range - ACTIVE LEAF



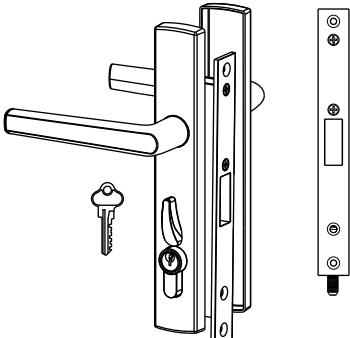
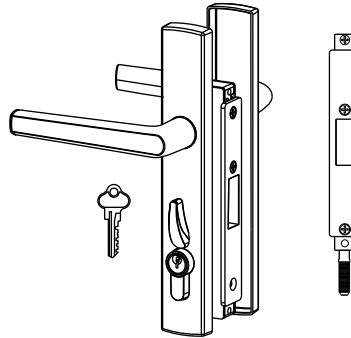
These products can be used for single doors, the end panel of bi-folding doors, or the active leaf of double doors. Multipoint kits are available as an option for increased security.

<b>LOCKSETS FOR ACTIVE LEAF</b>	<b>FACE MOUNT - STANDARD</b>	<b>FLUSH MOUNT</b>
	<p><b>SR2-AS-CCC-colour</b></p> <ul style="list-style-type: none"> <li>- <b>Face mount STANDARD</b></li> <li>- Standard lever set</li> <li>- C4 cylinder KD</li> <li>- Snib locking</li> <li>- SR-2C (winged) and SR-2D (flat) strikeplates</li> </ul>  <p><b>Multipoint Kit is optional</b></p>	<p><b>SR2-AF-CCC-colour</b></p> <ul style="list-style-type: none"> <li>- <b>Flush mount</b></li> <li>- Standard lever set</li> <li>- C4 cylinder KD</li> <li>- Snib locking</li> <li>- SR-2C (winged) and SR-2D (flat) strikeplates</li> </ul>  <p><b>Multipoint Kit is optional</b></p>

## Standard Product Range - INACTIVE LEAF



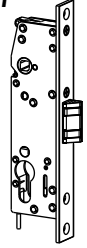
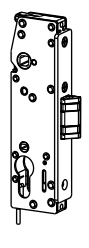
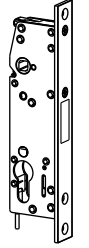
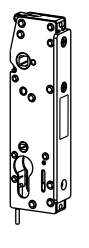
The Sorrento Mk2 lock with a multipoint kit may be used to secure the inactive (fixed) leaf of double doors, and to provide an aperture for the lock bolt of the active leaf (precise installation is required). The Commercial Flushbolt may also be used to secure the inactive leaf.

<b>LOCKSETS FOR INACTIVE LEAF</b>	<b>FACE MOUNT - STANDARD</b>	<b>FLUSH MOUNT</b>
	<p><b>SR2-IS-CCC-colour</b></p> <ul style="list-style-type: none"> <li>- <b>Face mount STANDARD</b></li> <li>- Standard lever set</li> <li>- C4 cylinder KD</li> <li>- Snib locking</li> </ul>  <p><b>Multipoint kit must be attached</b></p>	<p><b>SR2-IF-CCC-colour</b></p> <ul style="list-style-type: none"> <li>- <b>Flush mount</b></li> <li>- Standard lever set</li> <li>- C4 cylinder KD</li> <li>- Snib locking</li> </ul>  <p><b>Multipoint kit must be attached</b></p>

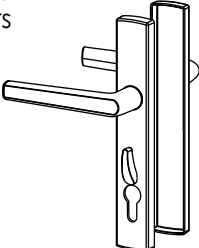
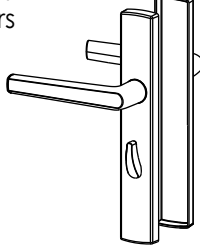
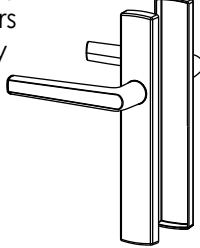


# SORRENTO Mk2 - Classic




## Lock Bodies

	FACE MOUNT	FLUSH MOUNT	FACE MOUNT	FLUSH MOUNT	
<b>ACTIVE LOCKBODY</b>	<b>SR2-LAS</b> - Lock Body for active leaf door - <b>Face mount</b> 	<b>SR2-LAF</b> - Lock Body for active leaf door - <b>Flush mount</b> 	<b>INACTIVE LOCKBODY</b>	<b>SR2-LIS</b> - Lock Body for inactive leaf door - <b>Face mount</b> 	<b>SR2-LIF</b> - Lock Body for inactive leaf door - <b>Flush mount</b> 

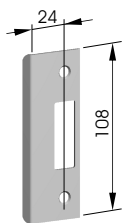
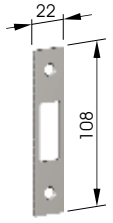
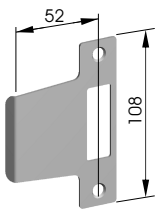
## Furniture

	SNIB & CYLINDER HOLE	SNIB ONLY	PASSAGEWAY
<b>CLASSIC FURNITURE</b>	<b>SR2-FCCC-colour</b> - <b>Classic</b> leverplate - <b>Classic</b> levers - Snib and cylinder hole 	<b>SR2-FCSC-colour</b> - <b>Classic</b> leverplate - <b>Classic</b> levers - Snib only 	<b>SR2-FCNC-colour</b> - <b>Classic</b> leverplate - <b>Classic</b> levers - Passageway only (no locking) 

## Cylinders

	C4 KEYWAY	GAINSBOROUGH KEYWAY	THUMBTURN
<b>70mm CYLINDERS</b>	<b>AA70-5C4/ KA or KD</b> Double C4 cylinder (5-pin re-pinable) 	<b>AA70-5G/ KA or KD</b> Double G cylinder (5-pin re-pinable) 	<b>AA70-5C4LHTT/ KA or KD</b> <b>AA70-5C4RHTT/ KA or KD</b> AA70 cylinder with Thumbturn on inside and 5-pin C4 outside. 

## Strike Plates

	STANDARD	FLAT	WIDE WINGED
<b>STAINLESS STEEL</b>	<b>SR-2C</b> Standard Strike Plate 	<b>SR-2D</b> Flat Strike Plate 	<b>SR-2G</b> Wide Winged Strike 



## Multipoint

**Sorrento Multipoint Kit**  
(for aluminium framed doors)

### Operation:

- An upper and lower remote bolt actuated by operation of the door levers to provide positive locking and door sealing.
- Actuation of the remote bolts to lock the door causes the door seals to be compressed
- 15mm bolt throw each end.

### Installation Features:

- Adjustable escutcheon allows the door compression to be set, ensuring a complete draft seal.
- Adjustable metal bolt tips.
- Easy installation using a patented system that guides the rods onto the centre lock, and the tubes can be cut to length on site to fit any door size.

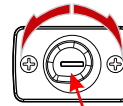


### Adjustable Tip:

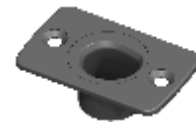
The  $\varnothing 12.0\text{mm}$  bolt tip has fine adjustment ( $\pm 8.0\text{mm}$ ) that allows precision installation, supported by a die-cast brace having an adjustable screw for side support.



### Adjustable Escutcheon:



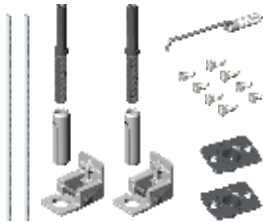
Screwdriver slot for adjustment



### SR-M

Multipoint kit includes:

- 2 x 1,500mm tubes
- 2 x Adjustable tips
- 2 x Threaded tip inserts
- 1 x Top remote connector
- 2 x Adjustable escutcheons
- 2 x Supporting braces
- Fitting bag with fasteners



## Accessories

**SR-FPAR** (for active leaf)

**SR-FPIR** (for inactive leaf)

Round Faceplate (stainless steel)  
(suits Capral Genesis section)

