



ULTIMATE with Caretaker Feature



Operation: A reliable mortise lock for hinged security doors having a pivoting latch bolt that is retracted by operation of either an outside or inside lever. Closing the door causes an auxiliary bolt to release the latch bolt enabling it to enter the strike plate. Once fully extended it may be locked (or unlocked) from either side by key.

Special Features:

- **Caretaker feature** that greatly improves occupant safety (see detailed description below left).
- **Interior snib lever** for quick and convenient locking without the need for a key.
- The **jemmy resistant strike plate** is designed to deform under attack to enable the strike plate to remain engaged with the bolt even as the door is jemmied away from the door jamb.
- A **pivoting latch bolt** hooks in behind a profiled strike plate to provide enhanced resistance to forced entry.
- **Australian** design and manufacture.
- Subject to patenting.

Multipoint: Ultimate may be connected to multipoint kits to provide three point locking. These kits provide a top and a bottom bolt, each connected to the main lock body by a steel cable. The remote bolts are activated whenever the door is locked by key or snib (see over page for details).

Installation Features:

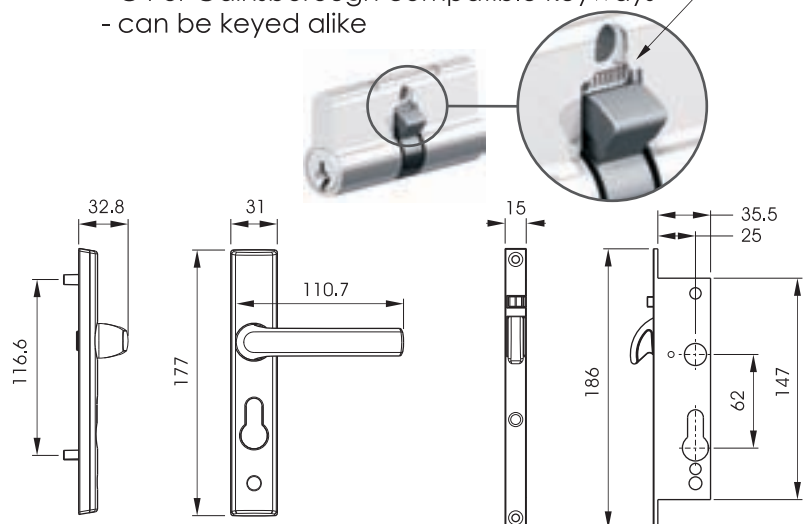
- Fits into **industry standard cut-outs**.
- Standard lock fits door frames from 19mm to 25mm thick.
- Suits both left hand hinged and right hand hinged doors.
- **Fitting instructions** can be downloaded from www.ausloc.com

Finishes: Available in Satin Chrome, Bright Chrome, Bright Gold and in the range of powder coated finishes shown in Section 10 of this catalogue. Finishes include PSIL (powder-coated Satin Chrome look-alike) that is more suitable for coastal and high humidity environments.

- Keying:**
- A48 5-pin double cylinders with a cam-stop (spring)
 - C4 or Gainsborough compatible keyways
 - can be keyed alike

Caretaker Feature

The patented Caretaker one-way locking function allows a door to be snib locked from the outside (but not unlocked) by a Caretaker key. This enables occupants to unlock the door by simply operating the inside snib lever (without the need for a key). The door can then be opened by pushing down on the unlatching lever.



Ordering Code	Ultimate Caretaker	Notes
ULT / colour	Ultimate with Caretaker feature	



Multipoint Kits

U-KIT

Straight bolts
Uses steel cables that provide quiet and reliable operation. Cables are only available in standard lengths.

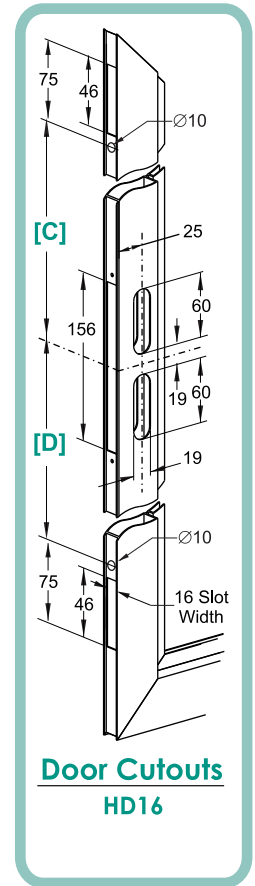
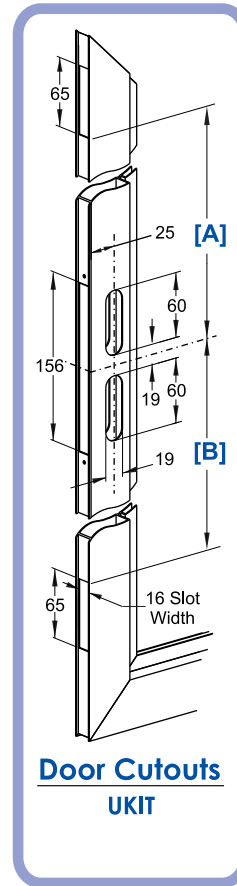
HD16

Pivoting bolts
Uses steel cables that provide quiet and reliable operation. Cables are only available in standard lengths.

Ordering Code	Description	[A]	[B]
CABLE UKIT/H	Cable multipoint kit for Ultimate series (straight bolts)	682mm	826mm
UKIT/L	Cable multipoint kit for Ultimate series (straight bolts)	826mm	682mm
UKIT/P	Cable multipoint kit for Ultimate series (straight bolts)	375mm	961mm

Ordering Code	Description	[C]	[D]
CABLE HD16/H	Cable multipoint kit for Ultimate series (pivoting bolts)	610mm	790mm
HD16/L	Cable multipoint kit for Ultimate series (pivoting bolts)	766mm	634mm
HD16/P	Cable multipoint kit for Ultimate series (pivoting bolts)	313mm	1079mm

Tolerance +/- 3 mm



Accessories

AA8-C4/ KA or KD
AA8 re-pinable double cylinder with C4 keyway.

AA8-G/ KA or KD
AA8 re-pinable double cylinder with Gainsborough compatible keyway.

AA8-C4LHTT/ KA or KD
AA8-C4RHHT/ KA or KD
AA8 cylinder with Thumbturn on inside and 5-pin C4 outside. (refer Cylinder section for details)

W8 2000/ KA
W8 2000 double wafer cylinder.

SP2
Standard Strike Plate for Ultimate (stainless steel).

WSP2/LH **WSP2/RH**
Wide Strike Plate for Ultimate

LEFT RIGHT

JRSP12LH **JRSP12RH**
12mm Step-over Strike Plate

LEFT RIGHT

SP11 for multipoint
Standard Catch Plate for U-Kit, E-Kit, and H14R remote bolts.

SP23 for multipoint
Narrow Catch Plate Kit for U-Kit remote bolts on **double doors**.

SP25
Narrow Strike Plate Kit for Ultimate series locks on **double doors**.

ACCHURRICANE
Hurricane Kit.
High strength strike plate kit for hurricane regions.

Kit contains:
1 x solid centre strike plate
2 x HD16 strike plates
2 x remote lock face plates (no fasteners included)

DC/colour
DCH/colour
Door Closer and Door Closer Heavy Duty.