



# ULTIMATE XC



**Operation:** A reliable mortise lock for hinged security doors having a pivoting latch bolt that is retracted by operation of either an outside or inside lever. Closing the door causes an auxiliary bolt to release the latch bolt enabling it to enter the strike plate. Once fully extended it may be locked (or unlocked) from either side by key.

**Special Features:**

- **Interior snib lever** for quick and convenient locking without the need to use a key.
- The **jemmy resistant strike plate** is designed to deform under attack to enable the strike plate to remain engaged with the bolt even as the door is jemmied away from the door jamb.
- A **pivoting latch bolt** hooks in behind a profiled strike plate to provide enhanced resistance to forced entry.
- **Australian** design and manufacture.

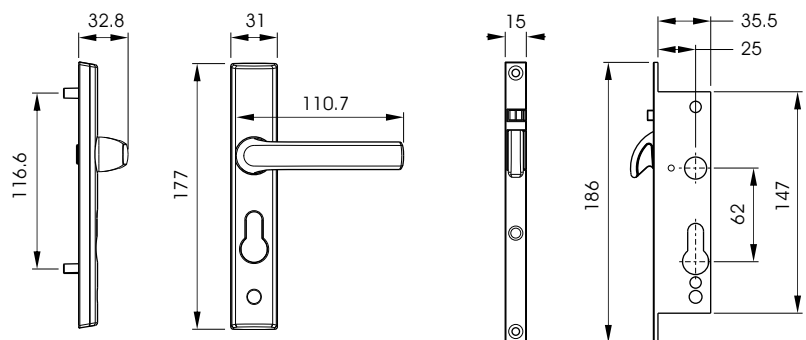
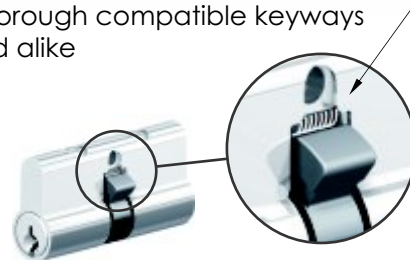
**Multipoint:** Ultimate XC may be connected to multipoint kits to provide three point locking. These kits provide a top and a bottom bolt, each connected to the main lock body by a steel cable. The remote bolts are activated whenever the door is locked by key or snib (see over page for details).

**Installation Features:**

- Fits into **industry standard cut-outs**.
- Suits both left hand hinged and right hand hinged doors.
- **Fitting instructions** can be downloaded from [www.ausloc.com](http://www.ausloc.com)

**Finishes:** A range of powder coated finishes shown in Section 10 of this catalogue. Finishes include PSIL (powder-coated Satin Chrome look-alike).

- Keying:**
- AA8 5-pin double cylinders with a cam-stop (spring)
  - C4 or Gainsborough compatible keyways
  - can be keyed alike



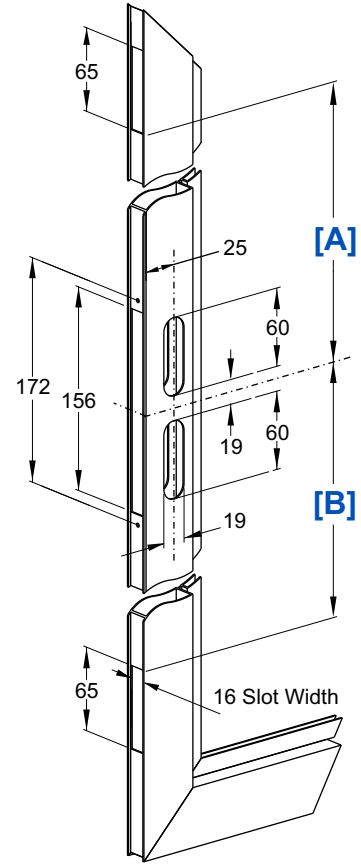
Ordering Code	Ultimate XC - without Caretaker feature	Notes
ULTXC / colour	Ultimate XC standard	



## Multipoint Kits

**U-KIT**  
**Straight bolts**  
 Uses steel cables that provide quiet and reliable operation. Cables are only available in standard lengths.

**HD16**  
**Pivoting bolts**  
 Uses steel cables that provide quiet and reliable operation. Cables are only available in standard lengths.



Ordering Code	Description	[A]	[B]
UKIT/H	Cable multipoint kit for Ultimate series ( <b>straight bolts</b> )	682mm	826mm
UKIT/L	Cable multipoint kit for Ultimate series ( <b>straight bolts</b> )	826mm	682mm
UKIT/P	Cable multipoint kit for Ultimate series ( <b>straight bolts</b> )	375mm	961mm
HD16/H	Cable multipoint kit for Ultimate series ( <b>pivoting bolts</b> )	682mm	826mm
HD16/L	Cable multipoint kit for Ultimate series ( <b>pivoting bolts</b> )	826mm	682mm
HD16/P	Cable multipoint kit for Ultimate series ( <b>pivoting bolts</b> )	375mm	961mm

Tolerance +/- 3 mm

## Accessories

**AA8-C4/ KA or KD**  
 AA8 re-pinable double cylinder with C4 keyway.

**AA8-G/ KA or KD**  
 AA8 re-pinable double cylinder with Gainsborough compatible keyway.

**AA8-C4LHTT/ KA or KD**  
**AA8-C4RHTT/ KA or KD**  
 AA8 cylinder with Thumbturn on inside and 5-pin C4 outside. (refer Cylinder section for details)

**W8 2000/ KA**  
 W8 2000 double wafer cylinder.

**SP2**  
 Standard Strike Plate for Ultimate (stainless steel).

**WSP2/LH**  
 Wide Strike Plate (left) for Ultimate series.

**WSP2/RH**  
 Wide Strike Plate (right) for Ultimate series.

**SP1** for multipoint  
 Standard Catch Plate for U-Kit, E-Kit, and H14R remote bolts.

**FB/colour**  
 Double Flushbolt for **double doors**.

**DC/colour**  
 Door Closer

**DCH/colour**  
 Door Closer Heavy Duty