



# YARRA VIEW



YARRA VIEW - SLIM



YARRA VIEW - EDGE



YARRA VIEW - CURVE

**Operation:** Slim design for doors with a large stiffening wing or narrow frame. Yarra View has the same operation as Yarra Ridge deadlock.

**Special Features:**

- **Twin counteracting beaks** engage an all-metal catch plate, providing resistance to jemmying and restraining the door against being lifted from its rails.
- **Self-adjusting catch plate** automatically compensates for building movement and door carriage wear, to ensure correct latching after continued use.
- **A range of outer pull designs** are available for various applications.
- **Anti-slam plunger** prevents the door being shut with beaks extended, avoiding damage to beaks and catch plate. Beaks can only be extended when the door is closed.
- **Australian** design and manufacture.
- Subject to patenting.

**Multipoint:** Yarra View may be connected to the **Vent Lock kit** which provides remote locking and vent locking.

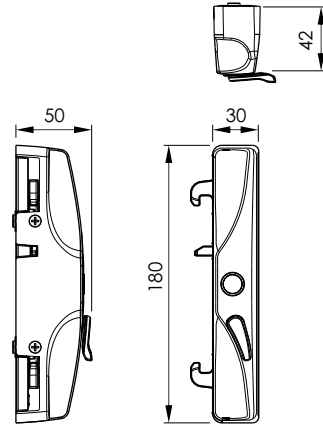
**Installation Features:**

- **Drop-in cylinders** can be easily fitted on site during lock installation.
- **Surface mounted** using the industry standard three holes. Standard Yarra View fits door frames from 21.3mm to 46.4mm thick. Optional '**Fat Pack**' allows installation onto doors up to 59mm thick.
- **Symmetrical design** of Yarra View suits left-closing and right-closing doors. This also makes the Yarra View suitable for locking double doors.
- **Fitting instructions** can be downloaded from [www.ausloc.com](http://www.ausloc.com)

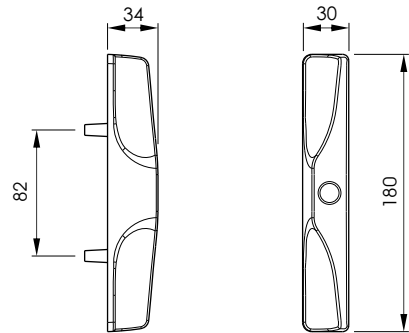
**Finishes:** Available in Satin Chrome, Bright Chrome, Bright Gold and in the range of powder coated finishes shown in Section 10 of this catalogue. Finishes include PSIL (powder-coated Satin Chrome look-alike) that is more suitable for coastal and high humidity environments.

- Keying:**
- 5-pin cylinders are available
  - C4 or Gainsborough compatible keyways
  - can be keyed alike

# YARRA VIEW - Slim



Yarra View - SLIM Inner Pull



Yarra View - Standard Outer Pull

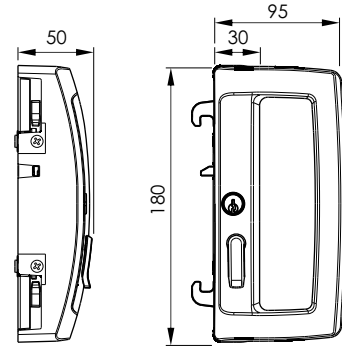
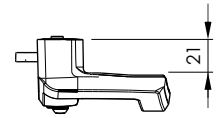
## SLIM - Standard Product Range (Slim Inner Pull)

	LOCKS WITH 16mm CATCH	LOCKS WITH 25mm CATCH
<b>NARROW INNER PULL</b>	<b>YV-ST-AAA-SAA-colour</b> - Standard Outer Pull - <b>Slim Inner Pull</b> - Without cylinders - Narrow 16mm catch (order cylinders separately)	<b>YV-ST-AAA-WAA-colour</b> - Standard Outer Pull - <b>Slim Inner Pull</b> - Without cylinders - Wide 25mm catch (order cylinders separately)
	<b>YV-OT-AAA-SAA-colour</b> - <b>No Outer Pull</b> (order separately) - Slim Inner Pull - Without cylinders - Narrow 16mm catch (order cylinders separately)	<b>YV-OT-AAA-WAA-colour</b> - <b>No Outer Pull</b> (order separately) - Slim Inner Pull - Without cylinders - Wide 25mm catch (order cylinders separately)
<b>DUMMY</b>	<b>YV-OZ-AAA-EAA-colour</b> - No Outer Pull - <b>Dummy Slim Inner Pull</b> - No catch plate (attach catch plate ordered with pull for non-dummy side of double doors)	<b>YC-C4B/ KA or KD</b> - Standard 5-pin C4 cylinder - Other available cylinders are listed in the following pages (ordered separately)

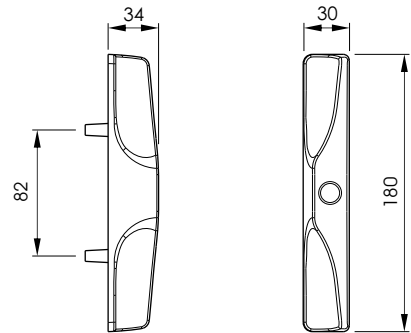
Non-standard items can be ordered separately (refer to Accessories page for further information).  
Standard packing is 5 locks per box.



# YARRA VIEW - Edge

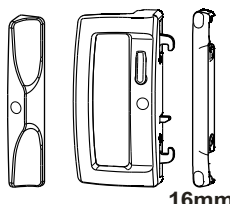
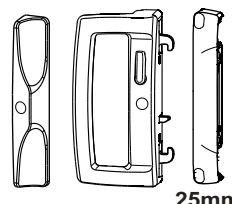
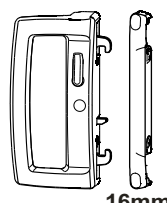
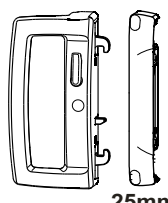

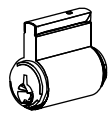


Yarra View - EGDE Inner Pull



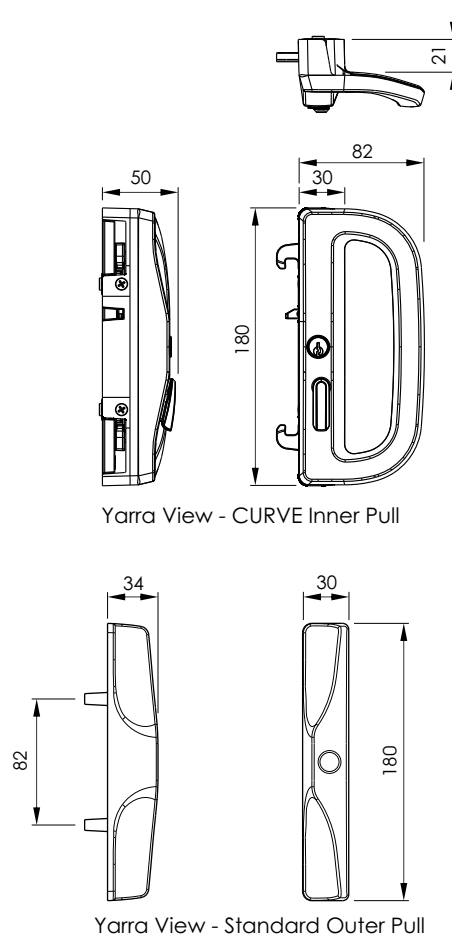
Yarra View - Standard Outer Pull

## EDGE - Standard Product Range (Edge 'D' Inner Pull)

	LOCKS WITH 16mm CATCH	LOCKS WITH 25mm CATCH
<b>'D' INNER PULL</b>	<p><b>YV-SS-AAA-SAA-colour</b></p> <ul style="list-style-type: none"> <li>- Standard Outer Pull</li> <li>- <b>Edge "D" Inner Pull</b></li> <li>- Without cylinders</li> <li>- Narrow 16mm catch</li> </ul> <p>(order cylinders separately)</p>  <p style="text-align: right;">16mm</p>	<p><b>YV-SS-AAA-WAA-colour</b></p> <ul style="list-style-type: none"> <li>- Standard Outer Pull</li> <li>- <b>Edge "D" Inner Pull</b></li> <li>- Without cylinders</li> <li>- Wide 25mm catch</li> </ul> <p>(order cylinders separately)</p>  <p style="text-align: right;">25mm</p>
	<p><b>YV-OS-AAA-SAA-colour</b></p> <ul style="list-style-type: none"> <li>- <b>No Outer Pull</b> (order separately)</li> <li>- Edge "D" Inner Pull</li> <li>- Without cylinders</li> <li>- Narrow 16mm catch</li> </ul> <p>(order cylinders separately)</p>  <p style="text-align: right;">16mm</p>	<p><b>YV-OS-AAA-WAA-colour</b></p> <ul style="list-style-type: none"> <li>- <b>No Outer Pull</b> (order separately)</li> <li>- Edge "D" Inner Pull</li> <li>- Without cylinders</li> <li>- Wide 25mm catch</li> </ul> <p>(order cylinders separately)</p>  <p style="text-align: right;">25mm</p>
<b>DUMMY</b>	<p><b>YV-OY-AAA-EAA-colour</b></p> <ul style="list-style-type: none"> <li>- No Outer Pull</li> <li>- <b>Dummy Edge "D" Inner Pull</b></li> <li>- No catch plate (attach catch plate ordered with pull for non-dummy side of double doors)</li> </ul> <p style="text-align: center;"><b>DUMMY</b></p> 	
		<p><b>YC-C4B/ KA or KD</b></p> <ul style="list-style-type: none"> <li>- Standard 5-pin C4 cylinder</li> <li>- Other available cylinders are listed in the following pages</li> </ul> <p>(ordered separately)</p>  <p style="text-align: right;"><b>STANDARD CYLINDER</b></p>

Non-standard items can be ordered separately (refer to Accessories page for further information).  
Standard packing is 5 locks per box.

# YARRA VIEW - Curve



## CURVE - Standard Product Range (Curve 'D' Inner Pull)

	LOCKS WITH 16mm CATCH	LOCKS WITH 25mm CATCH
<b>'D' INNER PULL</b>	<b>YV-SR-AAA-SAA-colour</b> - Standard Outer Pull - <b>Curve 'D' Inner Pull</b> - Without cylinders - Narrow 16mm catch (order cylinders separately)	<b>YV-SR-AAA-WAA-colour</b> - Standard Outer Pull - <b>Curve 'D' Inner Pull</b> - Without cylinders - Wide 25mm catch (order cylinders separately)
	<b>YV-OR-AAA-SAA-colour</b> - <b>No Outer Pull</b> (order separately) - Curve 'D' Inner Pull - Without cylinders - Narrow 16mm catch (order cylinders separately)	<b>YV-OR-AAA-WAA-colour</b> - <b>No Outer Pull</b> (order separately) - Curve 'D' Inner Pull - Without cylinders - Wide 25mm catch (order cylinders separately)
<b>DUMMY</b>	<b>YV-OX-AAA-EAA-colour</b> - No Outer Pull - <b>Dummy Curve 'D' Inner Pull</b> - No catch plate (attach catch plate ordered with pull for non-dummy side of double doors) DUMMY	<b>YC-C4B/ KA or KD</b> - Standard 5-pin C4 cylinder - Other available cylinders are listed in the following pages (ordered separately) STANDARD CYLINDER

Non-standard items can be ordered separately (refer to Accessories page for further information).  
Standard packing is 5 locks per box.



## Multipoint

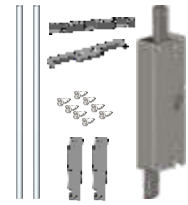
**Vent Lock Multipoint Kit** (for aluminium framed doors)

- Provides additional top and bottom locking.
- The door can be locked in two positions; fully closed and with an opening to allow ventilation.
- Bolts are actuated by turning the key.

### YR-VL

Vent Lock kit includes:

- 1 x Drive box
- 2 x Drive rods
- 2 x Metal bolts
- 2 x Bolt guides
- 2 x Strike plates
- Fitting bag with fasteners



## Accessories

### YV-FP

Yarra View 'Fat Pack' to fit doors 47mm-59mm thick

Pack contains:  
 2 x G8-32x2" CSK screws  
 2 x G8-32x2-1/4" CSK screws  
 1 x long Yarra View spindle

### YR-6C

Channel mount catch plate.



### YR-1C

Mortise outer pull for timber doors (see Timber Door section)



## Yarra Cylinders

(compatible with Yarra View pulls)

### YC-C4B/ KA or KD

**Standard cylinder for Yarra View**  
 5-pin C4 cylinder



- Re-pinable cylinder
- Project pinning capability
- Master keying available
- Made in Australia

RECOMMENDED

### YC-GB/ KA or KD

Standard 5-pin G cylinder



G CYLINDERS

### YC-GC/ KA or KD

Premium 5-pin G cylinder



### YC-C4B/ KA or KD

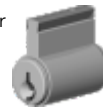
Standard 5-pin C4 cylinder



C4 CYLINDERS

### YC-C4A/ KA or KD

5-pin C4 cylinder



### YC-C4C/ KA or KD

Premium 5-pin C4 cylinder



### YC-WS/ KA or KD

Wafer cylinder (not suitable for low-profile pulls).



WAFAER CYLINDERS

### YC-WL/ KA or KD

Wafer cylinder for low-profile pulls.



Ordering Code	Description	Notes
YC-C4B/ KA or KD	Standard 5-pin C4 cylinder	5-pin C4 cylinders
YC-C4A/ KA or KD	5-pin C4 cylinder	
YC-C4C/ KA or KD	Premium 5-pin C4 cylinder	
YC-GB/ KA or KD	Standard 5-pin G cylinder	5-pin G cylinders
YC-GC/ KA or KD	Premium 5-pin G cylinder	
YC-WS/ KA or KD	Wafer cylinder (not suitable for low-profile outer pulls)	Wafer cylinders
YC-WL/ KA or KD	Low-profile wafer cylinder (suitable for low-profile outer pulls)	



## Standard Outer Pull Options

**YV-1S**

**Yarra View Standard Long Outer Pull**  
Angled outer pull for 5-pin cylinders.

**YV-1T**

**Yarra View Short Outer Pull**  
Angled outer pull for 5-pin cylinders.

**YR-1D**

**YR-1D Flat 15mm Outer Pull**  
suitable for aluminium doors where space between glass sliding door and sliding screen door is limited.

**YR-1Q**

**Yarra Outer Plate**  
suitable for aluminium doors where no outer pull is needed. 4mm thick.

## Non-standard Outer Pull Options

for use on specific applications. Please ensure suitability and availability before ordering.

**YR-1G**

**YR-1G Flat 10mm Outer Pull**  
suitable for aluminium doors where space between glass sliding door and sliding screen door is limited.

**YR-1E**

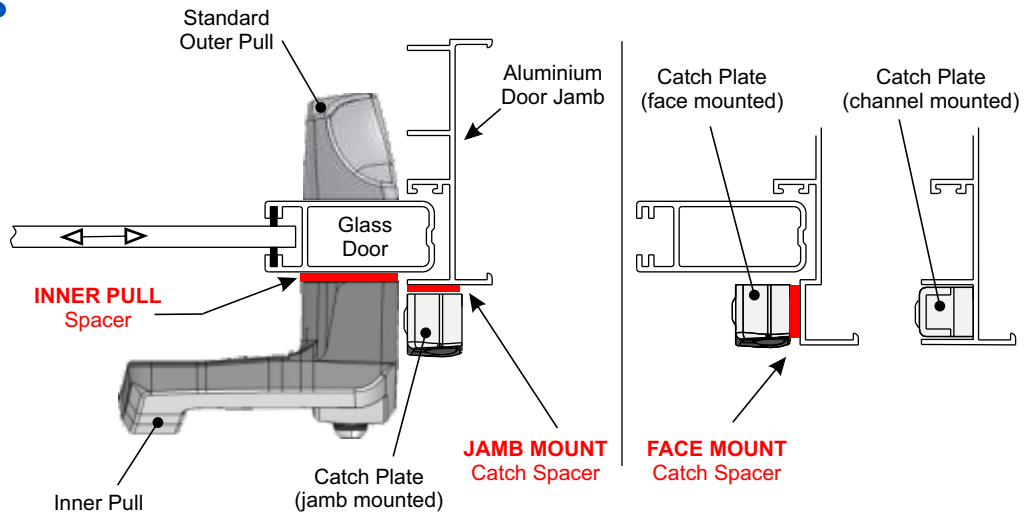
**YR-1E Flat Narrow 32mm Outer Pull**  
suitable for aluminium doors with stiffening ribs on the door exterior.

**YR-1J**

**YR-1J Flat Narrow 26mm Outer Pull**  
suitable for aluminium doors with stiffening ribs on the door exterior.



## Spacers



<b>PULL SPACERS</b>	<b>YV-8Q</b>	6mm INNER PULL spacer	
	<b>YV-8R</b>	4mm INNER PULL spacer	
	<b>YV-8S</b>	2mm INNER PULL spacer	

<b>CATCH SPACERS</b>	<b>YR-8D</b>	2mm JAMB MOUNT catch spacer Suitable for: WINTEC DOOR	
	<b>YR-8F</b>	2mm JAMB MOUNT catch spacer Suitable for: CRANE OXO DOOR	
	<b>YR-8P</b>	4mm JAMB MOUNT catch spacer	
	<b>YR-8O</b>	2mm FACE MOUNT catch spacer	
	<b>YR-8C</b>	3mm FACE MOUNT catch spacer Suitable for: A&L DOOR and others	

<b>KITS</b>	<b>YV-8T</b>	2mm INNER PULL spacer and 4mm JAMB MOUNT catch spacer	
	<b>YV-8V</b>	6mm INNER PULL spacer and 6mm JAMB MOUNT wide catch spacer	
	<b>YV-8U</b>	4mm INNER PULL spacer and 2mm FACE MOUNT catch spacer	
	<b>YV-8W</b>	6mm INNER PULL spacer and 3mm FACE MOUNT catch spacer and 2mm JAMB MOUNT catch spacer	

Ordering Code	Description	Suitable for:	Notes
YV-8Q	6mm thick Inner Pull spacer	LIDCO doors	Pull Spacers
YV-8R	4mm thick Inner Pull spacer		
YV-8S	2mm thick Inner Pull spacer		
YR-8D	2mm thick Jamb Mount catch spacer	WINTEC doors	Catch Spacers
YR-8F	2mm thick Jamb Mount catch spacer	CRANE OXO doors	
YR-8P	4mm thick Jamb Mount catch spacer		
YR-8O	2mm thick Face Mount catch spacer		
YR-8C	3mm thick Face Mount catch spacer	A&L doors and others	
YV-8T	2mm thick Inner Pull spacer + 4mm Jamb Mount catch spacer	CRANE OXO doors	Spacer Kits
YV-8V	6mm thick Inner Pull spacer + 6mm Jamb Mount wide catch spacer		
YV-8U	4mm thick Inner Pull spacer + 2mm Face Mount catch spacer	MICOS sliding suite	
YV-8W	6mm thick Inner Pull spacer + 3mm Face catch + 2mm Jamb catch spacer	ALSPEC FITZROY door	