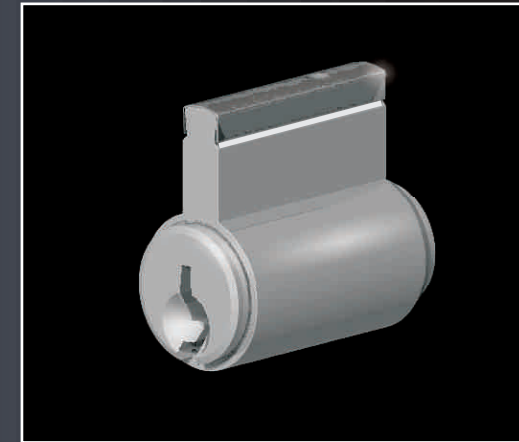


DOUBLE SHOOT-BOLT®

for doors and windows

AUSTRAL LOCK 



Features

- Stylish design provides double bolt locking
- Compact design allows for fitting in smaller sections
- Pin cylinder locking security
- Low profile faceplate with no visible fasteners
- Solid stainless steel bolt tips
- Australian design and manufacture

Keying

- Re-pinable cylinder
- C4 and Gainsborough compatible key-ways
- Project pinning capability
- Master keying capability
- Made in Australia

Double Shoot-bolt® for doors and windows - Made in Australia

Operation: An all-metal, cylinder activated double shoot-bolt for aluminium framed doors and windows.

Special Features:

- **Stylish low profile design** faceplate with no visible fasteners.
- **Compact design** allows for fitting in smaller sections
- **Pin cylinder** key-locking security.
- **Unique face fixing system** provides a faceplate with no visible fasteners.
- **Solid stainless steel** bolt tips provide strength and corrosion resistance.
- **Australian** design and manufacture.

Installation features:

- Tubes can be **cut to length on site**.
- **Fine bolt adjustment** at either end after tubes are cut.
- **Fitting instructions** can be downloaded from www.ausloc.com

Finishes: Double Shoot-bolt® is available in a range of finishes, including Satin Chrome plated.

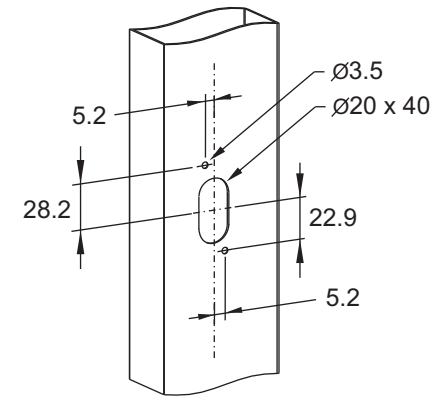
	Black Matt [BLMT]		Magnolia [MAG]
	White Gloss [WHGL]		Hawthorn Green [HGRP]
	Primrose [PRGL]		Doeskin Satin [DSST]
	Brown [BRRP]		Mist Green [MST]
	Satin Chrome [SC]		Other colours available

Keying: Double Shoot-bolt® can be keyed alike to most other common door locks that employ C4 or GHI keys (i.e. Lockwood and Gainsborough compatibility).

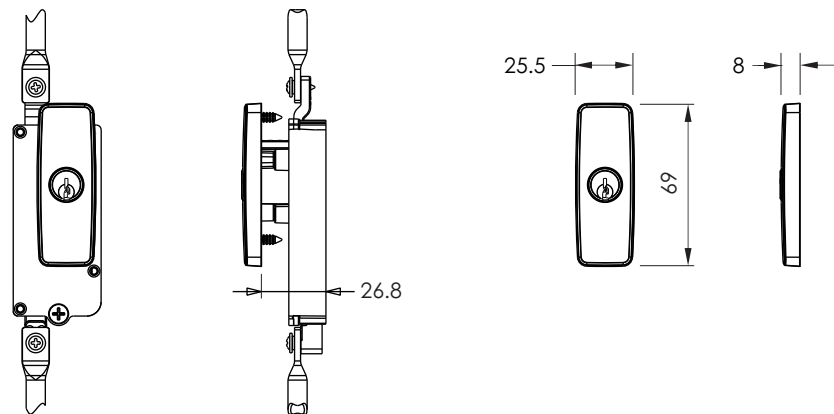
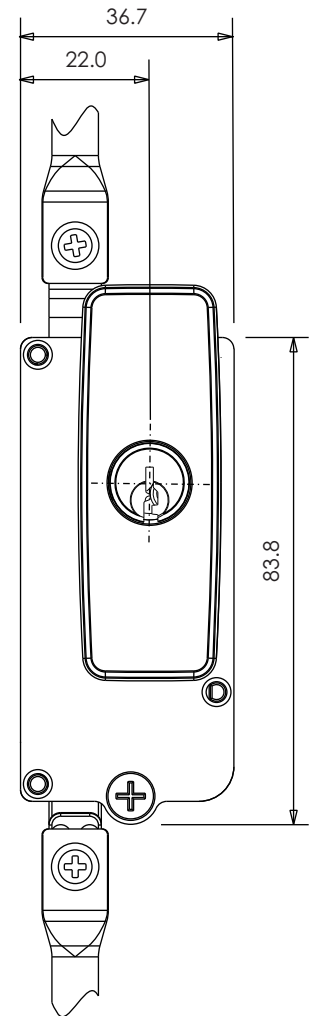
Cylinder: MPSB-5C4/KA 5 pin re-pinable cylinder or MPSB-5G/KA 5 pin re-pinable cylinder .
Cylinders are ordered separately.

Packaging: Double Shoot-bolt® : 5 locks per carton; carton weight ~ 3 Kg;
carton size ~ 1110mm x 100mm x 70mm

Ordering: Double Shoot-bolt® : MPSB/ colour code



MOUNTING CUTOUTS
(One face only)



 **Austral Lock Industries PTY/LTD** www.ausloc.com
A.B.N 91 089 262 617

Manufacturing & Sales
42 Export Drive, Brooklyn,
Victoria, 3012, Australia
Telephone (+61 3) 9314 1077
Facsimile (+61 3) 9314 2400

Product Development
8 - 14 Ross Street, South Melbourne,
Victoria, 3205, Australia
Telephone (+61 3) 9684 7500
Facsimile (+61 3) 9686 5755



Distributor:

Brochure: Austral DSB 10-07

Double Shoot-bolt® is a registered trademark of Austral Lock PTY LTD www.ausloc.com