



# COMMERCIAL FLUSHBOLT

**Operation:** An all-metal double flushbolt, activated by single lever operation. Ideal for securing intermediate panels of bi-folding doors, and the fixed door of double door sets.

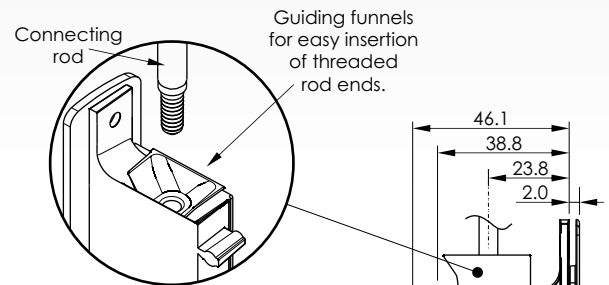
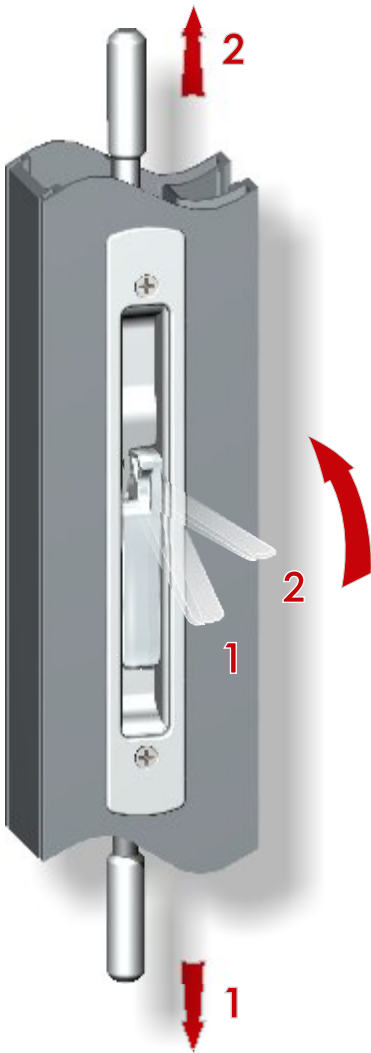
**Special Features:**

- **Single lever** provides double bolt locking.
- **Lever is conveniently located** near the center of the door so there is no need to bend down or reach up.
- **Two-stage bolt activation** for ease of use.
- **Solid metal tips** for strength and security.
- **Australian** design and manufacture.
- Subject to patenting.

**Installation features:**

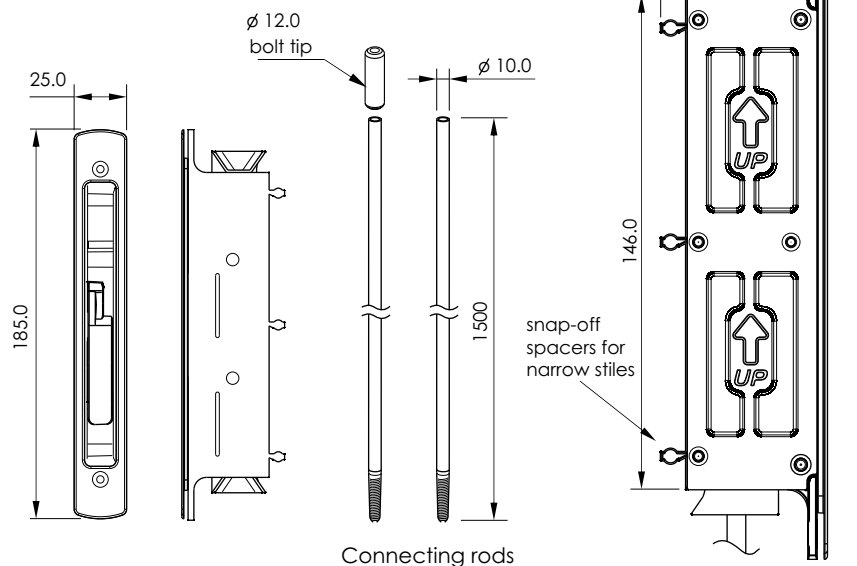
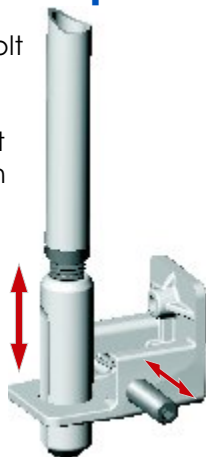
- **Quick and easy** to install.
- **1500mm** bolt shafts can be **easily cut to length** for fitting.
- **Fine bolt adjustment** of the tips.
- Top and bottom brackets (that guide the tips) include **adjustable braces** that improve resistance to forced entry.
- **Fitting instructions** can be downloaded from [www.ausloc.com](http://www.ausloc.com)

**Finishes:** The faceplate is available in Satin Chrome or, PSIL (powder-coated Satin Chrome look-alike) that is more suitable for coastal and high humidity environments. The lever is bright chrome plated.



## Adjustable tip

The  $\varnothing 12.0\text{mm}$  bolt tip has fine adjustment ( $\pm 8.0\text{mm}$ ) that allows precision installation, supported by a die-cast brace having an adjustable screw for side support.



Ordering Code	Description	Notes
FBC/SC	Commercial Flushbolt - Satin Chrome faceplate	
FBC/PSIL	Commercial Flushbolt - Precious Silver Pearl powdercoated faceplate	