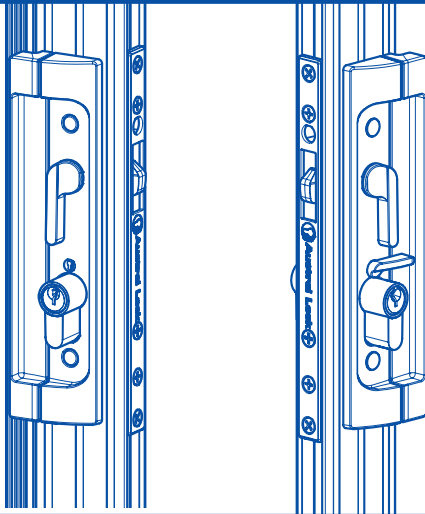




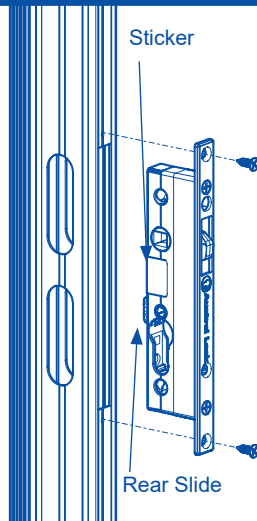
SD9

for sliding screen doors
ILLUSTRATED FITTING INSTRUCTIONS



1. LOCKBODY INSTALLATION

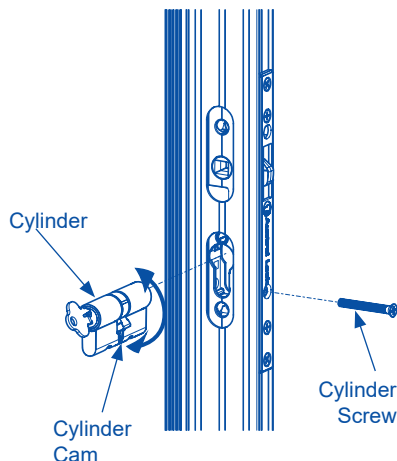
- The **Sticker** on the rear of the **Lockbody** is to assist in easy installation. - Do not remove.
- If the **Sticker** has been broken or removed, ensure that the **Rear Slide** is pushed completely down before assembling the **Lockbody** into the door cutout.
- Insert the **Lockbody** into the door cutout
- Secure the **Lockbody** with the two #8x13mm Lockbody screws.



2. CYLINDER INSTALLATION

IMPORTANT : If installing with a multipoint accessory kit, be sure to follow the cylinder installation procedure within the multipoint kit instructions.

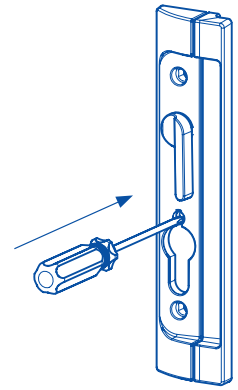
- Assemble the **Cylinder** through the lock so the **Cylinder** protrudes equally from both sides.
NOTE : the **Cylinder Cam** must rotate as shown below. (cam turns towards front of door)
- Insert the **Key** and turn to locked position.
- Insert #10 x 38mm **Cylinder Screw** & tighten.
NOTE : test, **Main Bolt** should not depress.
- Turn **Key** to unlocked position and remove **Key**.



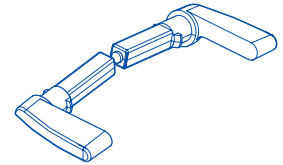
3. INTERIOR FURNITURE

- Select the **Interior Handle** to suit your door, then punch out the **Snib Hole Cover**.

- (Place the punch on the Austral Logo and punch from the front.)

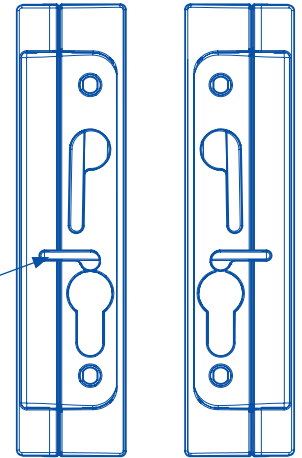


- Break the **Snib Lever** pair in two.



- Install the correct **Snib** and **Lever** as shown.

- Hold the **Snib** vertical and insert it into the **Escutcheon**. Secure by rotating the **Snib** 90° to the position shown.



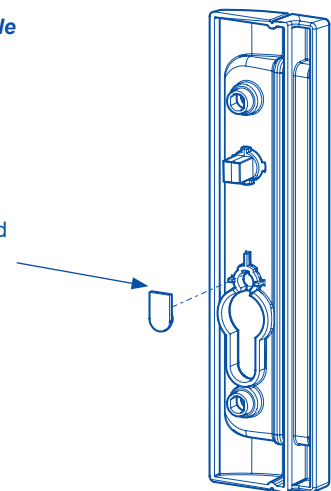
LH escutcheon set up for Interior.

RH escutcheon set up for Interior.

4. EXTERIOR FURNITURE

- Select the **Exterior Handle** assembly.

- Fit the Snib Plug in behind the Austral logo of the Exterior Escutcheon.



LH escutcheon set up for exterior.

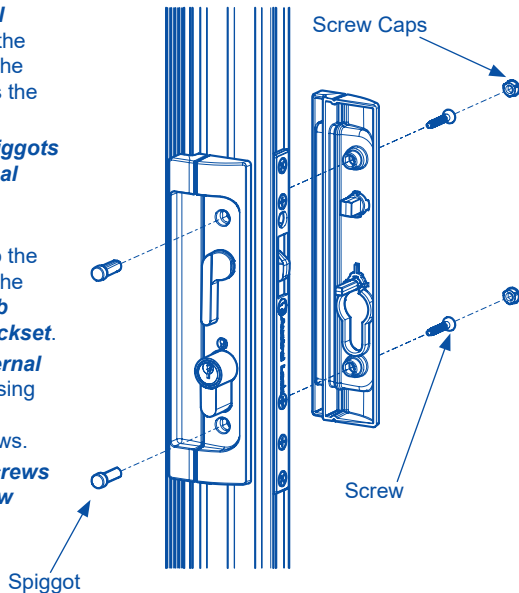
PLEASE TURN OVER



asd9doc01

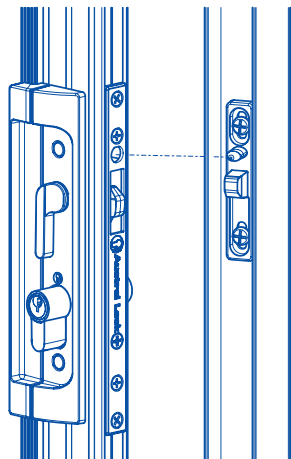
5. INSTALL THE FURNITURE

- Fit the **External Escutcheon** to the door ensuring the **Lever** engages the **Lockset**.
- Insert the 2 **Spigots** into the **External Escutcheon**.
- Fit the **Internal Escutcheon** to the door ensuring the **Lever** and **Snib** engage the **Lockset**.
- Secure the **Internal Escutcheon** using the 2 #8 x 22 Assembly screws.
- Conceal the **Screws** using the **Screw Caps**.



6. STRIKE PLATE INSTALLATION

- Pencil mark the **Door Jamb** at the same height as the **Main Bolt**. (refer to indicator lines)
- Centre the **Strike Plate's** square cutout over the pencil marks on the **Door Jamb**.
- Pencil mark the **Door Jamb** through the screw holes and the square cutout.
- Pilot drill the screw holes if necessary.
- Remove any material to a depth of 16mm to ensure there is adequate clearance around all sides of the main bolt.
- Secure the strike plate to the door jamb with two **#8x25mm screws**.
- Test the lock.



7. CARE & MAINTENANCE

Installation

The product must be installed according to the instructions included in the product packaging and the door should be apertured according to the door "cut-out" dimensions and tolerances shown. Prior to fitting ensure that:

- Doors stored on site are stored in a clean dry area free from cement, lime, paint, acid etc.
- During fitting of the lock ensure that :

- No metal swarf or other contaminants enter the lock body.
 - The fixing screws do not damage the product finish.
- After installation of the door ensure that:

- The door is correctly adjusted with the correct clearances.
- The lock engages the strike plate correctly.
- The door is protected from building fall-out such as wet plaster, mortar, paint and welding splatter.

If the door becomes contaminated:

- Do not paint the lock body or faceplate.
- Remove wet plaster, cement, mortar and other droppings immediately, using ample clean water and a sponge or rag, to avoid permanent staining or scratching of the product finish. If removal is delayed and scraping becomes necessary the surface finish may suffer.

Maintenance

- Annually inspect the door to confirm that the door operates with the correct clearances, closes and opens without obstruction and confirm that the lock tongue slides easily up the strike plate wing to freely enter the strike plate aperture when the door is closed - adjust the door if necessary.
- Annually check that when the door is closed, the lock can be locked by key and by the snib lever.
- Quarterly wipe the strike plates with a soapy rag to remove built up debris and to lubricate the strike plate (To prevent bouncing of the door).
- NB : The lock assembly has been lubricated for life, and should not be disassembled by the user.

Cleaning Powder Coatings

- Every six months, powder coated surfaces should be cleaned to protect the finish. However, in areas where pollutants are more prevalent, especially in coastal or industrial regions, cleaning should be carried out every two to three months.
- To clean the powder coated surface:
 - Carefully remove any loose deposits with a wet sponge.
 - Use a soft brush (non abrasive) or cloth and a mild household detergent solution to remove dust, salt and other deposits. Do not use steel wool, scrapers, scouring liquids or powders to remove deposits as these permanently scratch the coating surface.
 - Rinse off with clean fresh water.

MAINTENANCE LOG

In order to protect your warranty, record all maintenance activity in the following log:

Address of building:		
Name of door:		
Date	Activity	Signed



ALLEGION

Allegion (Australia) Pty Ltd
 Freephone: 1800 098 094
 Email: auinfo@allegion.com
www.ausloc.com

Allegion (New Zealand) Pty Ltd
 Freephone: 0800 477 869
 Email: nzinfo@allegion.com
www.allegion.co.nz

