



SORRENTO BI-FOLD



Operation: A reliable, all-metal lock for securing the intermediate panels of bi-fold doors. The Sorrento Bi-fold levers are used with a multipoint kit (supplied) and will only fit aluminium framed doors.

Special Features:

- **Stylish** low-profile design.
- **Interior snib** lever is employed for quick and convenient locking without the need to use a key.
- **Steel cased lock body** for increased strength.
- **15mm bolt throw** each end.
- **Australian** design and manufacture.
- Subject to patenting.

Installation features:

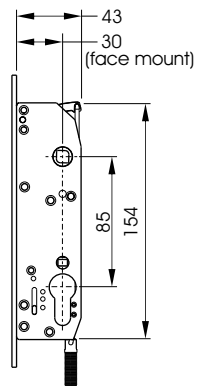
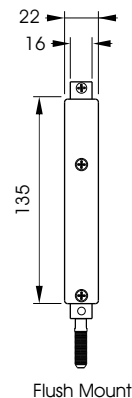
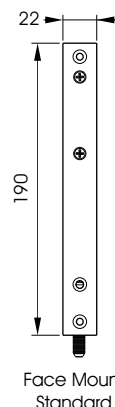
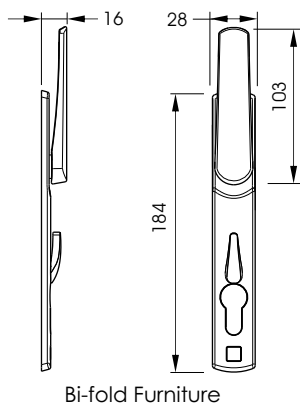
- **Easy installation** using a patented quick fitting system that guides the rods onto the center lock.
- **Fitting instructions** can be downloaded from www.ausloc.com

Finishes: Available in Satin Chrome, Bright Chrome, Bright Gold and in the range of powder coated finishes shown in Section 10 of this catalogue. Finishes include PSIL (powder-coated Satin Chrome look-alike) that is more suitable for coastal and high humidity environments.

- Keying:**
- AA35 5-pin re-pinable cylinders (left or right opening)
 - C4 or Gainsborough compatible keyways
 - can be keyed alike



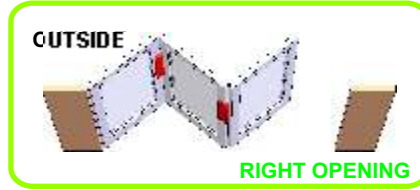
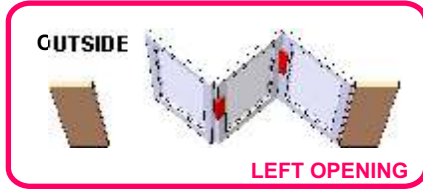
Sorrento Bi-fold uses a Sorrento Multipoint Kit to provide remote locking (top and bottom), and door seal compression.



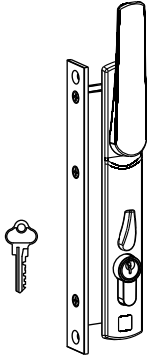
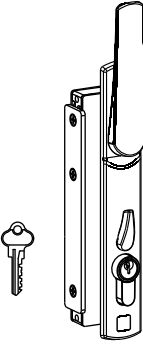
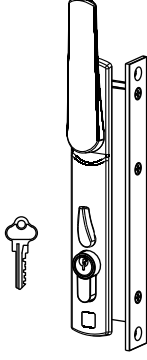
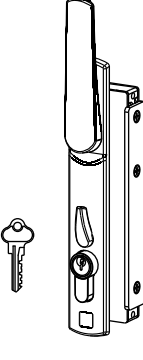
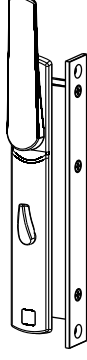
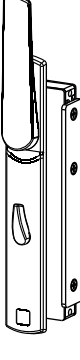
SORRENTO BI-FOLD



Standard Product Range



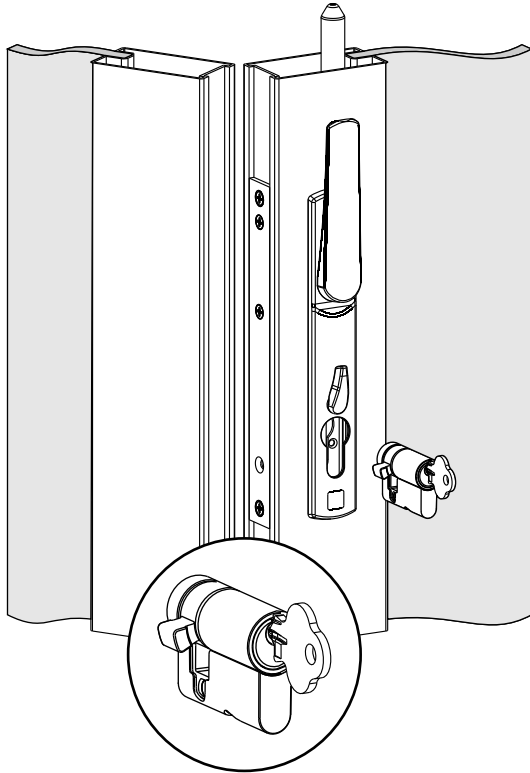
These products are designed to secure the intermediate panels of bi-folding doors. All Sorrento Bi-fold locks are supplied with Multipoint kits.

	FACE MOUNT - STANDARD	FLUSH MOUNT
SNIB & CYLINDER (LH)	<p>SR-FX-CAA-colour-ESC/B</p> <ul style="list-style-type: none"> - Face mount STANDARD - Bi-fold lever set - C4 cylinder LH - Snib locking <p>LEFT OPENING CYLINDER</p>  <p>Multipoint Kit included</p>	<p>SR-GX-CAA-colour-ESC/B</p> <ul style="list-style-type: none"> - Flush mount - Bi-fold lever set - C4 cylinder LH - Snib locking <p>LEFT OPENING CYLINDER</p>  <p>Multipoint Kit included</p>
SNIB & CYLINDER (RH)	<p>SR-FX-CAA-colour-CSC/B</p> <ul style="list-style-type: none"> - Face mount STANDARD - Bi-fold lever set - C4 cylinder RH - Snib locking <p>RIGHT OPENING CYLINDER</p>  <p>Multipoint Kit included</p>	<p>SR-GX-CAA-colour-CSC/B</p> <ul style="list-style-type: none"> - Flush mount - Bi-fold lever set - C4 cylinder RH - Snib locking <p>RIGHT OPENING CYLINDER</p>  <p>Multipoint Kit included</p>
SNIB ONLY	<p>SR-FX-CBA-colour-X</p> <ul style="list-style-type: none"> - Face mount STANDARD - Bi-fold lever set - Snib locking only - suits left and right opening doors  <p>Multipoint Kit included</p>	<p>SR-GX-CBA-colour-X</p> <ul style="list-style-type: none"> - Flush mount - Bi-fold lever set - Snib locking only - suits left and right opening doors  <p>Multipoint Kit included</p>

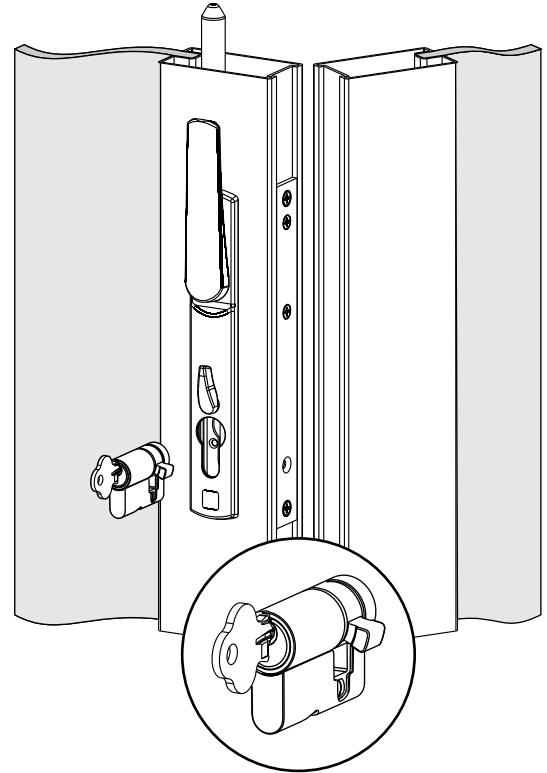


SORRENTO BI-FOLD

Cylinders







Left Opening



Right Opening

Cylinders for Sorrento Bi-fold

The Sorrento Bi-fold lock uses either a Left opening or a Right opening cylinder.

C4 CYLINDERS	AA35/LH-C4	AA35/RH-C4	G CYLINDERS	AA35/LH-G	AA35/RH-G
	5-pin C4 cylinder for Sorrento Bi-fold LEFT OPENING	5-pin C4 cylinder for Sorrento Bi-fold RIGHT OPENING		5-pin G cylinder for Sorrento Bi-fold LEFT OPENING	5-pin G cylinder for Sorrento Bi-fold RIGHT OPENING
					

Ordering Code	Description	Notes
AA35/LH-C4	Single C4 5-pin cylinder (re-pinable) for left opening bi-fold doors	Cylinders with C4 keyway
AA35/RH-C4	Single C4 5-pin cylinder (re-pinable) for right opening bi-fold doors	
AA35/LH-G	Single G 5-pin cylinder (re-pinable) for left opening bi-fold doors	Cylinders with G keyway
AA35/RH-G	Single G 5-pin cylinder (re-pinable) for right opening bi-fold doors	



Multipoint

Sorrento Multipoint Kit
(for aluminium framed doors)

Operation:

- An upper and lower remote bolt actuated by operation of the door levers to provide positive locking and door sealing.
- Actuation of the remote bolts to lock the door causes the door seals to be compressed
- 15mm bolt throw each end.

Installation Features:

- Adjustable escutcheon allows the door compression to be set, ensuring a complete draft seal.
- Adjustable metal bolt tips.
- Easy installation using a patented system that guides the rods onto the centre lock, and the tubes can be cut to length on site to fit any door size.

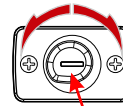


Adjustable Tip:

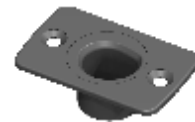
The $\varnothing 12.0\text{mm}$ bolt tip has fine adjustment ($\pm 8.0\text{mm}$) that allows precision installation, supported by a die-cast brace having an adjustable screw for side support.



Adjustable Escutcheon:



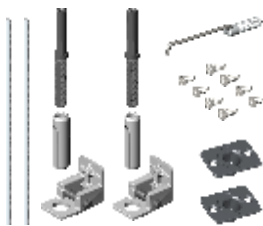
Screwdriver slot for adjustment



SR-M

Multipoint kit includes:

- 2 x 1,500mm tubes
- 2 x Adjustable tips
- 2 x Threaded tip inserts
- 1 x Top remote connector
- 2 x Adjustable escutcheons
- 2 x Supporting braces
- Fitting bag with fasteners



Accessories

	FACE MOUNT	FLUSH MOUNT	SNIB & CYL	SNIB ONLY	ROUND
LOCKBODY	SR-1F - Bi-fold Lock Body - Face mount	SR-1G - Bi-fold Lock Body - Flush mount			
FURNITURE			SR-3CA/colour - Snib and cylinder	SR-3CB/colour - Snib only	
FACEPLATE					SR-FPBR - Stainless steel (suits Capral Genesis section)