



Austral Lock

SORRENTO SERIES



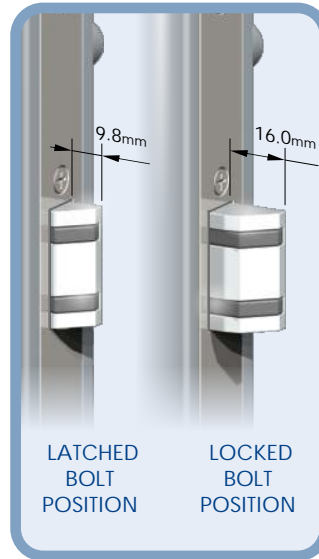
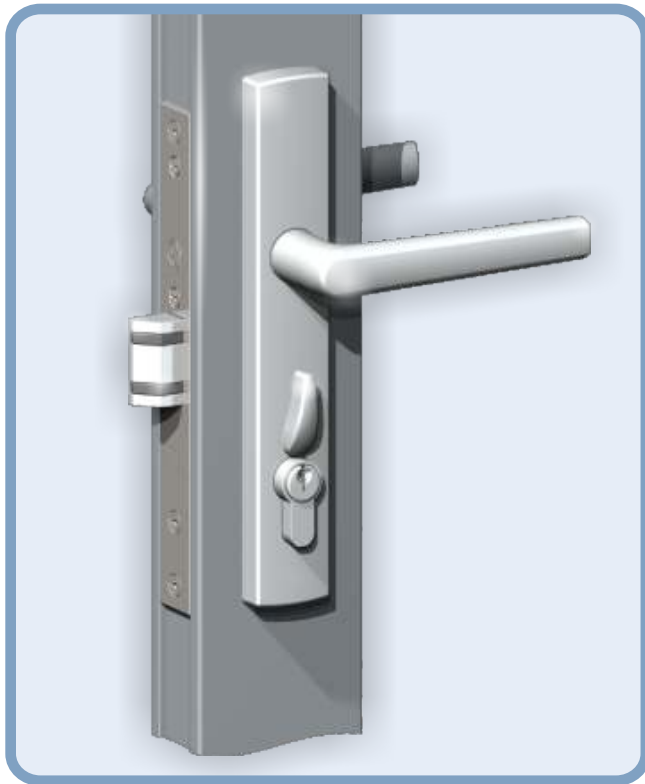
for hinged glass doors

A division of

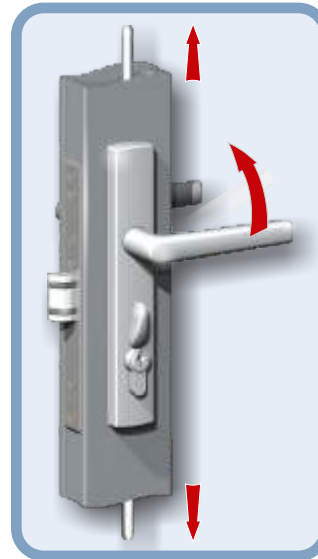
Gainsborough
fine quality door furniture

SORRENTO

CLASSI C for hinged swing doors



two-stage bolt is extended when locked



optional multipoint kit for triple locking

SORRENTO

BI - FOLD for folding doors



snib only (optional)

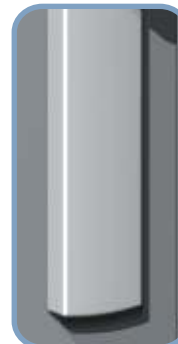
- Interior snib lever for quick and convenient locking without the need for a key.
- Tough nylon slides on the lock bolt help protect the edge of the door jamb, reducing noise and providing smooth closing action.
- Two-stage lock bolt - Locking the door by key or snib lever causes the lock bolt to extend further into the strike plate.
- Steel cased lock body for increased strength.
- Multipoint kits are available for three point locking.
- 45mm and 60mm backset available for timber doors.
- Available in a range of colours and finishes.
- Australian design and manufacture.



snib and cylinder



snib only



no locking

- Stylish low-profile design.
- Door seal compression provided by multipoint kit
- Interior snib lever is employed for quick and convenient locking without the need to use a key.
- Steel cased lock body for increased strength.
- Available in a range of colours and finishes.
- Australian design and manufacture.

For more information go to www.ausloc.com

For more information go to www.ausloc.com

SORRENTO

LOW-PROFILE for folding doors

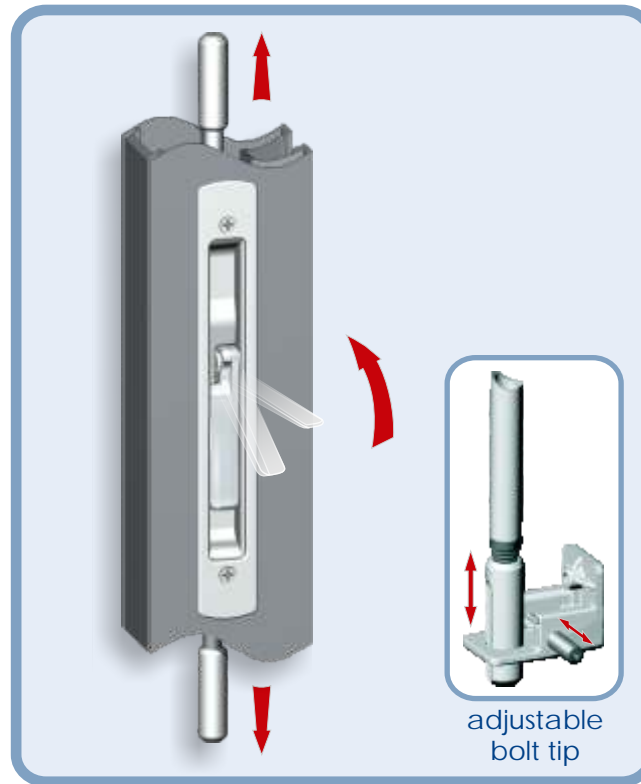


- Combination of low-profile lever and classic lever for the end panel of folding doors.
- Low-profile lever is used on the side that is folded against the other door panels.
- Interior snib lever for locking without a key.
- Centre bolt only - no multipoint option.
- Steel cased lock body for greater strength.
- 45mm & 60mm backsets available for timber doors.
- Available in a range of colours and finishes.
- Australian design and manufacture.

For more information go to www.ausloc.com

FLUSHBOLT

for double doors and bi-folding doors

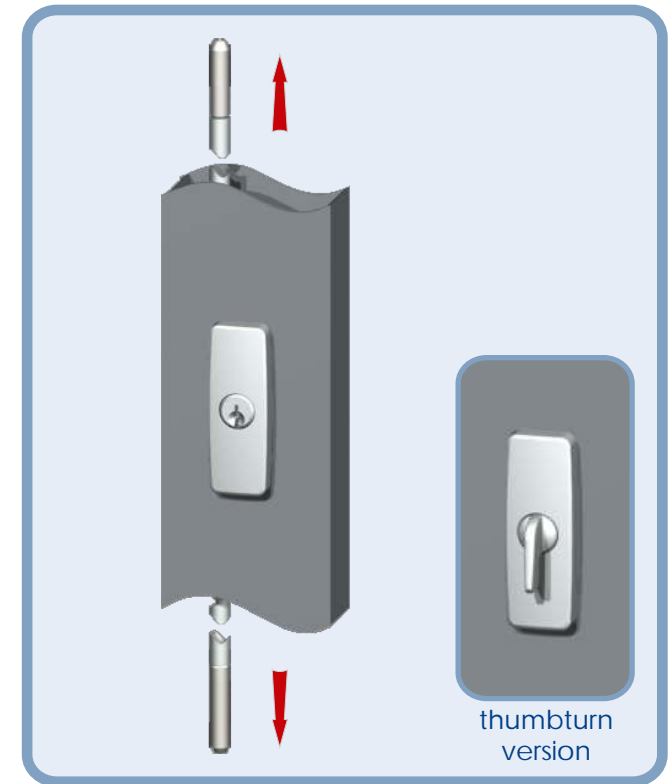


- Single lever provides double bolt locking.
- Lever is conveniently located near the center of the door so there is no need to bend down or reach up.
- Two-stage bolt activation for ease of use.
- Solid metal tips provide strength and security.
- Quick and easy to install, with fine bolt adjustment of the tips.
- Each connecting rod is 1500mm long and can be easily cut to length during installation.
- Australian design and manufacture.

For more information go to www.ausloc.com

SHOOT-BOLT

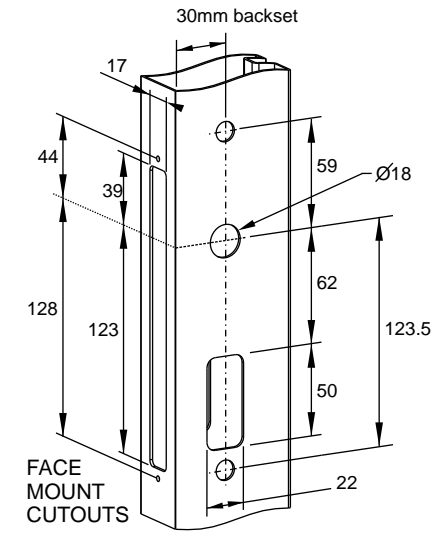
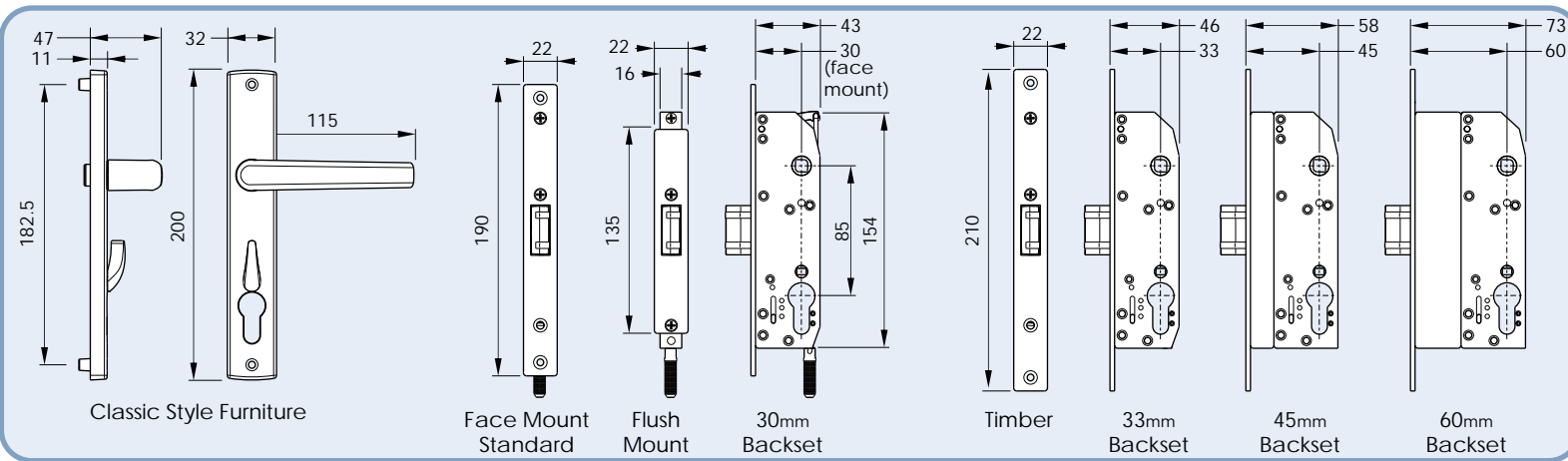
for doors and windows



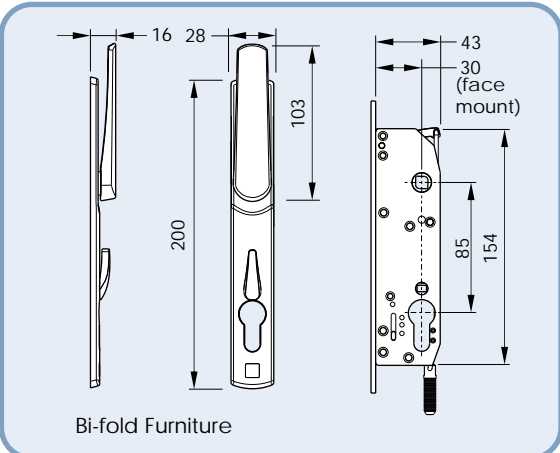
- Stylish low-profile design faceplate with no visible fasteners.
- Compact design allows for fitting into smaller sections.
- 5-pin cylinder for key-locking security.
- Thumbturn version is also available.
- Solid steel bolt tips for strength and security.
- 19mm bolt throw at each end.
- Each connecting rod is 1500mm long and can be easily cut to length during installation.
- Available in a range of colours and finishes.
- Australian design and manufacture.

For more information go to www.ausloc.com

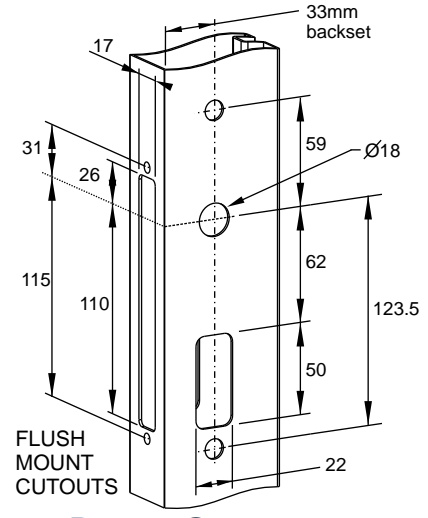
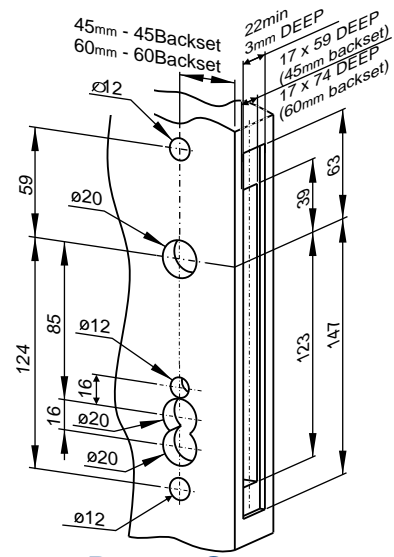
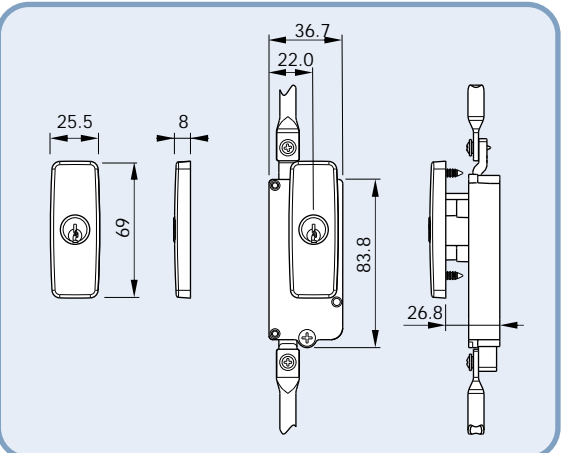
SORRENTO



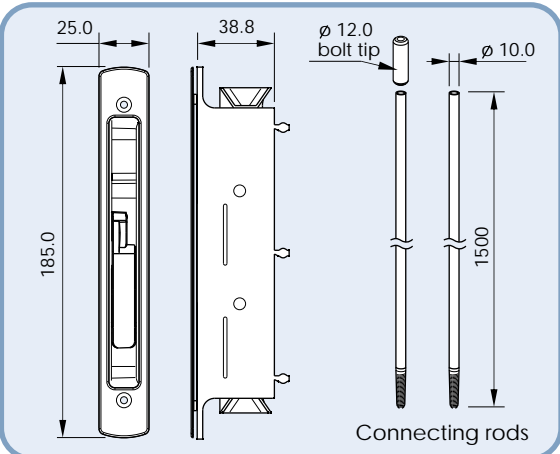
SORRENTO BI - FOLD



DOUBLE SHOOT-BOLT



COMMERCIAL FLUSHBOLT



Manufacturing & Sales
42 Export Drive, Brooklyn,
Victoria, 3012, Australia
Tel: (+61 3) 9314 1077
Fax: (+61 3) 9314 2400

www.ausloc.com



Victoria & Tasmania
15-33 Alfred St,
Blackburn, VIC 3130
Tel: Melb (03) 9877 1555
Fax: Melb (03) 9894 1599

South Australia
31 Lansdowne Terrace,
Vale Park, SA 5081
Tel: Melb (03) 9877 1555
Fax: Melb (03) 9894 1599

Western Australia
12 Juna Drive,
Malaga, WA 6945
Tel: (08) 9209 2511
Fax: (08) 9209 2611

New Zealand
5E 269A Mt Smart Rd,
Penrose, Auckland
Tel: (+64) 9525 6970
Fax: (+64) 9525 6982

New South Wales
Suite 1B, 126 Taren Pt Rd,
Taren Point, NSW 2229
Tel: (02) 9524 4855
Fax: (02) 9524 5670

Queensland
433 Logan Rd,
Stones Corner, QLD 4120
Tel: (07) 3394 8323
Fax: (07) 3847 5444

**North Queensland
Tambar Pty Ltd**
Unit 1, 17 Camuglia St,
Mt Louisa, QLD 4814
Tel: (07) 4774 5124
Fax: (07) 4774 5292

Austral Lock Pty Ltd is a division of GAINSBOROUGH Hardware Industries Limited

